

COMPRAG®

EN

Process water-oil separators

WOS-5/10/20/30

OPERATING MANUAL

Version 2.0

DE

Öl-Wasser-Abscheider

BEDIENUNGSANLEITUNG

Version 2.0

Seite. 16

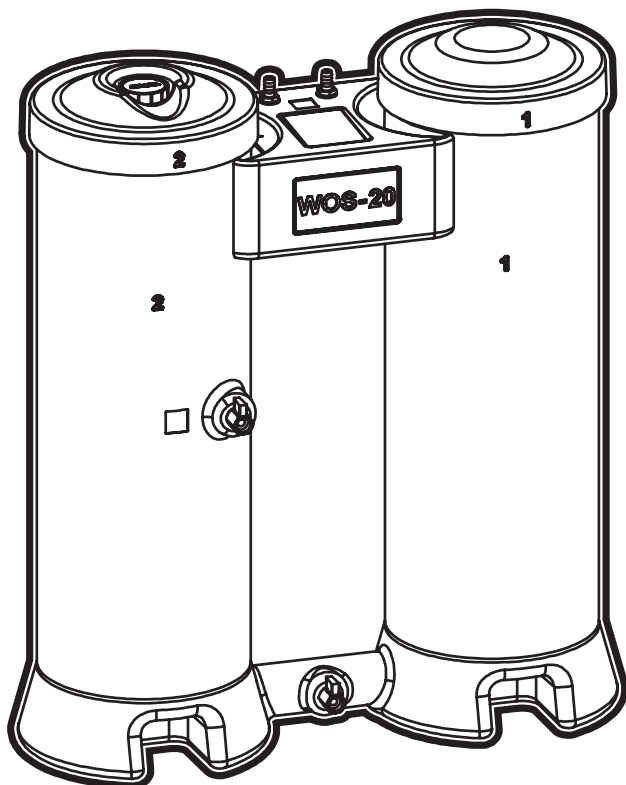
RU

Сепаратор технологического конденсата из сжатого воздуха

ИНСТРУКЦИЯ ПО
ЭКСПЛУАТАЦИИ

Версия 2.0

стр. 31



© Comrag ®. All rights reserved.

No part of the text and /or diagram may be reprinted or used without the prior written permission of Comrag.

The manufacturer reserves the right to make changes to a product design in order to enhance its technological and operational parameters without notifying the user.




The product type may considerably differ to that displayed in documents.

Contents


	Page
1. Safety guidelines	4
1.1 Symbols used in the instructions	4
1.2 General safety guidelines	4
1.3 Safety precautions for start-up	5
1.4 Safety precautions during operation	6
1.5 Safety precautions for maintenance and repair	7
2. Technical data and functional description	9
2.1 Technical data	9
2.2 Function diagram and main components	11
2.3 Advanced dimensioning	12
3. Start up	13
3.1 Safety check	13
3.2 Installation	13
4. Maintenance	14
4.1 Maintenance	14
4.2 Replace filter element	14
5. Storage and disposal	15
5.1 Storage of dryers	15
5.2 Disposal	15


1. Safety guidelines

1.1 Symbols used in the instructions.

	Lethal hazard.
	Warning.
	Attention.

1.2 General safety guidelines.

	Carefully familiarise yourself with the technical documentation, operating instructions and safety guidelines. Most accidents associated with the use of compressor equipment occur as a result of non-compliance with safety guidelines. Prevent hazards from developing and adhere to the safety guidelines.
---	--

	The manufacturer reserves the right to make changes to a product's design without notifying the user.
--	---

1. The operator must stringently adhere to safety guidelines provided for by these instructions and local legislation!
2. When choosing between these safety guidelines and the regulations provided for by local legislation, those rules which provide for more stringent requirements shall apply.
3. Only trained maintenance personnel with the relevant level of professional training are permitted to operate, service and repair Comprag equipment.
4. Compressed air flowing immediately from the compressor may contain oil and impurities and is not suitable for breathing! Compressed air has to be purified to an air purity grade suitable for breathing, in accordance with the standards prescribed by local legislation.

5. Compressed air is an extremely hazardous energy source. Compressed air must not be used for unintended purposes! Do not use it to clean clothing and footwear and never point compressed air hoses at people and animals! When using air to clean equipment, take extra caution and wear safety goggles!
6. All maintenance, repair, setup and installation work etc. must be performed while the equipment is turned off, disconnected from the power source, with compressed-air hoses disconnected from the equipment, and with the use of safety goggles! Ensure that equipment is disconnected from the compressed air system and is not under pressure.

1.3 Safety precautions for start-up



The user is solely liable for injuries or damages which occur due to non-compliance with safety guidelines during installation, operation or servicing, as well as unauthorised use of equipment!

1. Equipment must only be unloaded/loaded using the appropriate handling devices or hoisters. Equipment must not be manually lifted or moved. Do not leave equipment suspended. Use a helmet during unloading operations.
2. Arrange the equipment in a dry and clean facility which provides shelter from precipitation. The facility must be well ventilated, and forced ventilation should be provided if necessary.
3. Worn, damaged or spoiled compressed-air hoses should not be used. Ensure that hoses correspond to the equipment in terms of nominal diameter and working pressure.
4. When using several compressor stations in a system, each compressor must have a manually operated valve for cutting off any of the compressors in the case of emergency.
5. Explosive and fire-hazardous admixtures such as solvent vapours and carbon dust etc. must not be released into the atmosphere.
6. Ensure unrestricted access to the compressed-air hose from the compressor. Do not clutter it and do not store flammable materials in its immediate vicinity.
7. Do not pinch or deform the compressed-air feed hoses.
8. Do not cover holes used to provide equipment with air for cooling. Ensure the facility is well ventilated.
9. When using remote control, the equipment must give a legible and clear warning of this: 'ATTENTION: this machine is being controlled remotely and may start operating without warning!' An operator who is remotely controlling equipment must ensure that no installation or other work is being performed with the equipment at that moment. Once the equipment is turned off remotely, the operator must ensure that the equipment is actually turned off!
10. Equipment must be earthed. Provide short-circuit protection. The starting knife switch must be in the immediate vicinity of the equipment and protect against unauthorised start-up.



The user bears full responsibility for compliance with the operating conditions of the electrical motor installed in the equipment. Equipment must be used with protection devices. The protection devices must protect the electric motor from short circuits, overloading (systematic and start-up) and open-phase conditions. Installation of protection devices is the responsibility of the user.

11. There must be an information plate affixed next to the control panel on equipment with an independent control system featuring an automatic restart function: 'ATTENTION: This machine may start operating without warning!'
12. Any tanks and vessels working under pressure must be fitted with safety-relief valves! Unauthorised installation, disassembly or adjustment of attached safety-relief valves is not allowed.

1.4 Safety precautions during operation.



The user is solely liable for injuries or damages which occur due to non-compliance with safety guidelines during installation, operation or servicing, as well as unauthorised use of equipment!

1. Ensure that hoses correspond to the equipment in terms of nominal diameter and working pressure. Check the attachment of every hose coupling before start-up. An insecurely fastened hose may cause serious injury.
2. Never turn on equipment if you suspect the presence of highly flammable impurities in the air!
3. The operator remotely controlling equipment must ensure that no installation or other work is being performed with the equipment at that moment! An information plate must be affixed to the equipment in relation to this: 'ATTENTION: this machine is being controlled remotely and may start operating without warning!'
4. An operator is not allowed to operate equipment if the operator is fatigued, in a state of intoxication from alcohol, drugs or medicine that reduces the body's reaction time.
5. The equipment must not be operated if parts of the casing have been removed. Doors or panels may be opened for short durations for inspection and scheduled checks. It is advisable to wear hearing protection.



In some types of equipment, open doors or removal of panels during operation may lead to overheating.

6. Personnel in conditions or a facility where the sound pressure level reaches or exceeds 90 dB (A), must wear ear protectors.

7. If the air used for cooling equipment is used while the facility is being heated, undertake measures for it to be filtered so that it is suitable for breathing.
8. Regularly check that:
 - safety devices and attachments are in place;
 - all hoses and pipes are in good condition and sealed;
 - there are no leaks;
 - brackets and structural components are tightened;
 - all electrical cables and contacts are in good condition and safe to use;
 - safety devices are fully functional and there is no contamination etc;
 - all structural components are in working order, with no signs of wear and tear.

1.5 Safety precautions for maintenance and repair



The user is solely liable for injuries or damages which occur due to non-compliance with safety guidelines during installation, operation or servicing, as well as unauthorised use of equipment!

1. Only original spare parts and ancillary items may be used. Using spare parts from other manufacturers may lead to unpredictable results and consequently accidents.
2. When performing installation and repair work, always wear goggles!
3. Before connecting or disconnecting equipment, disconnect it from the main pneumatic system. Ensure that the hoses aren't under pressure!
4. Before beginning installation or other work, ensure that equipment is not pressurised. Installation work must not be carried out on equipment under pressure.
5. All maintenance work should be carried out only when the temperature of all structural elements falls to room temperature.
6. Never use highly flammable solvents or carbon tetrachloride for cleaning structural elements. When wiping, take precautions against the poisonous vapours of cleaning fluids.
7. When carrying out installation and repair work, an information plate should be affixed to the control panel to warn against unauthorised start-up. For example, "Do not turn on. Personnel operating!"
8. The operator remotely controlling equipment must ensure that no installation or other work is being performed with the equipment at that moment! An information plate must be affixed to the equipment in relation to this: See 1.3.9.
9. Maintain cleanliness in the facility where the equipment is installed. Close open inlets and outlets during installation with dry clothes or paper to prevent rubbish entering the equipment.

10. Welding or other similar operations must not be carried out in the immediate vicinity of the equipment and vessels under pressure.
11. If there is any suspicion of overheating, combustion or other emergency, turn off the equipment. Immediately disconnect it from the power supply. Do not open the doors of equipment until the temperature falls to room temperature, in order to prevent burns or injury.
12. Naked flames must not be used as a light source for inspecting and checking equipment.
13. Never use caustic solvents, which may damage materials of the pneumatic system
14. After performing installation or other work, ensure that no instruments, rags or spare parts have been left inside the equipment.
15. Pay particular attention to the safety-relief valves. Thoroughly inspect them and remove any dust and dirt. They must not be allowed to suffer any loss in function under any circumstances. Remember that your safety depends on their functionality!
16. Before beginning work in normal mode after maintenance or repair work, check that the working pressure, temperature and other characteristics are correctly set. Ensure that all control devices are installed and functioning properly.
17. When replacing filters, separators etc., wipe away dust, dirt and oil residue from the area where they are installed with a dry cloth.
18. Protect the motor, air filter, electrical components and control components etc. from coming into contact with condensate. For instance, blow down with dry air.
19. Use protective gloves during installation and repair work in order to avoid burns and injury (for instance, during oil change).

2. Technical data and functional description



Non-compliance with these instructions, use of non-original parts and absence of a warranty service coupon may invalidate the warranty.

2.1 Technical data

The product features of heatless process water-oil separators WOS-5/10/20/30 COMPRAG (hereinafter WOS) are given below:

Model	Article		Cold climate zone 15 °C 60%RH	Mild climate zone 25 °C 60%RH	Hot climate zone 40 °C 100%RH
WOS-5	13400013	Max oil adsorption, kg	2,89	2,43	1,23
		Max FAD, Nm ³ /min/scfm	4,82/170,22	4,04/142,80	2,05/72,32
		Max condensate flow, l/h*	2,3	3,4	6,3
WOS-10	13400014	Max oil adsorption, kg	6,01	5,04	2,55
		Max FAD, Nm ³ /min/scfm	10,01/353,55	8,40/296,60	4,25/150,21
		Max condensate flow, l/h*	4,7	7,1	13,1
WOS-20	13400015	Max oil adsorption, kg	14,64	12,28	6,22
		Max FAD, Nm ³ /min/scfm	24,40/861,73	20,47/722,92	10,37/366,12
		Max condensate flow, l/h*	11,4	17,2	32,0
WOS-30	3400016	Max oil adsorption, kg	25,40	21,31	10,79
		Max FAD, Nm ³ /min/scfm	42,34/1495,07	35,52/1254,24	17,99/635,21
		Max condensate flow, l/h*	19,8	29,8	55,6

* Max condensate volume per condensate drain single discharge is 0,250 ltr.

	WOS-5	WOS-10	WOS-20	WOS-30
Nr. of inlet connections	1	2	2	4
Nr. of outlet connection	1	1	1	1
Connection type	Hosetail for pipe Ø int. 10 mm			
Operating temperature	1,5 - 45 °C (max. 65 °C)* / 35 - 113 °F (max. 149 °F)*			
Operating media	Condensate (air, water, oil); non-aggressive; not suitable for emulsion			
Residual oil content	Less than 10ppm			

* Max. operating temperature is 65 °C, but when temperature is over 45 °C, performance may decrease.

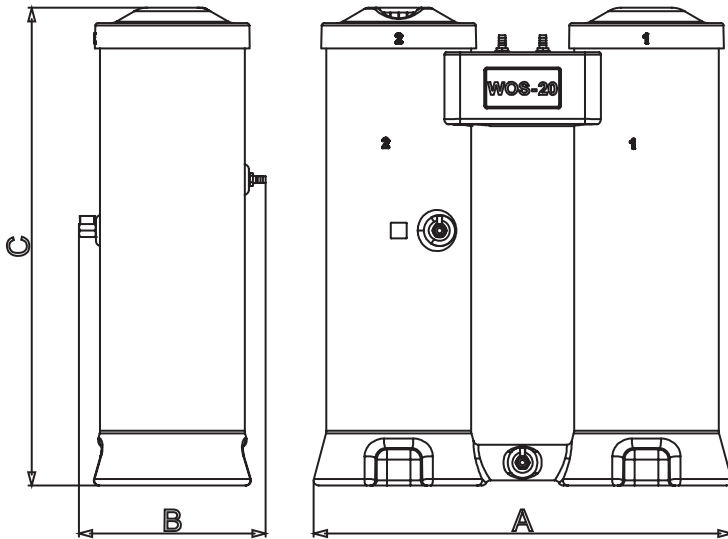


Fig. 2.1 Dimensions

Dimensions	WOS-5	WOS-10	WOS-20	WOS-30
A [mm]	416	730	820	960
B [mm]	243	343	366	386
C [mm]	411	680	940	1137

2.2 Function diagram and main components



The manufacturer cannot be held responsible for any damage resulting from improper, incorrect or unreasonable use. Use genuine spare parts only. Any damage or malfunction caused by the use of unguenuine parts is not covered by Warranty or Product Liability.

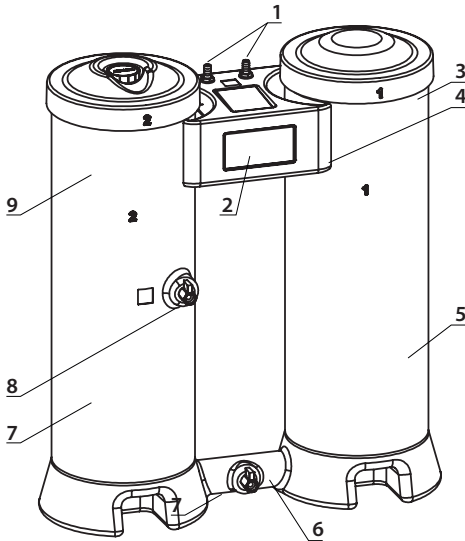


Fig. 2.2 Part

Pos.	Part
1.	Inlet connection- condensate (water, oil)
2.	Depressurization chamber (with air filter)
3.	First stage chamber
4.	Condensate flow
5.	Oil filter cartridge
6.	Condensate flow (water, residual oil traces)
7.	Activated carbon filter cartridge (final oil elimination)
8.	Clean water outlet (residual oil content <10ppm)
9.	Second stage chamber

Process water-oil separators WOS water oil separators are intended for separation of lubricant oil from condensate generated in compressed air systems. This appliance must be used only for the purpose for which it was specifically designed. All other uses are to be considered incorrect.

2.3 Advanced dimensioning

For advanced dimensioning please use following equations

$$t(\text{working hours})[h] = \frac{m(\text{Max oil adsorption})[g]}{FAD(\text{compressor}) \left[\frac{Nm^3}{h} \right] * c(\text{oil carryover}) \left[\frac{g}{Nm^3} \right]}$$

Oil carry over (c) can be determined by measuring oil volume at two sequential compressor services. In order to determine oil carry over compare initial volume of new oil with volume of oil drained out of compressor at oil replacement. It is recommended to keep a record of compressor services. When oil carry over is not known we suggest to use $c(\text{oil carryover})=0,005g/Nm^3$.

$$c(\text{oil carryover}) \left[\frac{g}{Nm^3} \right] = \frac{(V(\text{new oil})[l] - V(\text{used oil})[l]) * \rho(\text{oil}) \left[\frac{kg}{l} \right] * 10^3}{t(\text{comp. working hours between oil changes})[h] * FAD(\text{compressor}) \left[\frac{Nm^3}{h} \right]}$$

3. Start up

3.1 Safety check

Visually inspect for damages to packaging, and if there are no damages, then place the unit near the site chosen for installation and unpack the unit. Equipment must only be moved using the appropriate handling devices or hoisters.

Equipment must not be manually lifted or moved. Even when packaged, store the equipment in a place shielded from weather conditions.

Handle with care. Heavy impacts (bumps and falls) may cause irreparable damage.



The presence of dents, chips and other damages may invalidate the warranty.

3.2 Installation



It is strongly recommended to fill the device with clean water at least 24h (we recommend to fill water into cartridge 1 day before installation/service) before you start to drain condensate into the separator. If you start to drain condensate into an empty device, filter element can get saturated instantly or efficiency may be decreased.

1. Unpack the device
2. It is recommended to place the device near the wall. Test valve is located on front side of the device.
3. Make sure that you have easy access to the front side of the device.
4. Take both bags (carbon and polypropylene) out and remove protection foil from both filter bags. Then put the cartridge back in the device.
5. Make sure that white filter element is inserted in chamber 1 and carbon filter element is inserted in chamber 2.
6. Fill the device with clean water!
7. Connect device to the system.
8. Outlet must be connected to the sewage system.

4. Maintenance

4.1 Maintenance

It is recommended, that you do a check once per week to evaluate filter element saturation. To test water quality use test set. Instructions are attached in test set. Filter element must be replaced when first of the following parameters appears:

- 4000 operating hours of compressor.*
- 12 months regardless compressor operating hours.
- Oil concentration in outlet reaches concentration determined with local directives and laws.
- Damaged components are to be replaced by new ones. If a marked degree of damage is found, the entire vessel is to be replaced.
- Carry out a check for leaks once the maintenance work has been finished.

* At compressor oil carry over $2,5\text{mg}/\text{m}^3$. Lower/higher oil carry over means proportionally longer/shorter lifetime (e.g. if oil carryover is $5\text{mg}/\text{m}^3$ lifetime reduces to 2000 operating hours).

Water quality can also be checked with "oil indicating test paper". For test set please contact us or your local distributor.

4.2 Replace filter element



Disposal of used separation elements must be carried out in accordance with local regulations and laws.

To replace filter element follow this steps:

1. Remove protection foil from both filter bags, fill the cartridge with clean water. (Please pay attention to warning specified in INSTALLATION chapter).
2. Close condensate inlet or make sure condensate will not be discharged into WOS during service.
3. Remove saturated filter element.
4. Clean connection for filter element on cyclonic depressurization chamber.
5. If necessary clean interior of cyclonic chamber.
6. Install NEW filter element to cyclonic chamber. Make sure that white filter element is inserted in chamber 1 and carbon filter element is inserted in chamber 2.
7. Open inlet connection and put the unit in the operation.

5. Storage and disposal

5.1 Storage of dryers

WOS should be kept in a dry facility at a temperature between -10° and $+45^{\circ}\text{C}$ with max. 75% relative humidity. The facility should preclude the presence of precipitation.

5.2 Disposal

Disposal of used separation elements must be carried out in accordance with local regulations and laws.

© Comprag ®. All rights reserved.

No part of the text and /or diagram may be reprinted or used without the prior written permission of Comprag.




The manufacturer reserves the right to make changes to a product design in order to enhance its technological and operational parameters without notifying the user.

The product type may considerably differ to that displayed in documents.


Beschreibung	Seite
1 Sicherheitshinweise	18
1.1 In den Anweisungen verwendete Piktogramme	18
1.2 Allgemeine Sicherheitshinweise	18
1.3 Sicherheitsvorkehrungen für die Inbetriebnahme	19
1.4 Sicherheitsvorkehrungen während des Betriebs	20
1.5 Sicherheitsvorkehrungen für Wartung und Instandsetzung	22
2 Design und Funktion	24
2.1 Technische Daten	24
2.2 Funktion	26
2.3 Dimensionierung	27
3 Inbetriebnahme	28
3.1 Kontrolle bei inbetriebnahme	28
3.2 Installation	28
4 Wartung	29
4.1 Wartung	29
4.2 Elementwechsel	29
5 Lagerung und Entsorgung	30
5.1 Lagerung	30
5.2 Entsorgung	30


1. Sicherheitsrichtlinien

1.1 In den Anweisungen verwendete Piktogramme

	Lebensgefahr.
	Warnung.
	Achtung.

1.2 Allgemeine Sicherheitshinweise

	Machen Sie sich sorgfältig mit der technischen Dokumentation, der Betriebsanleitung und den Sicherheitshinweisen vertraut. Die meisten Unfälle bei der Verwendung von Kompressoranlagen geschehen infolge der Nichtbeachtung der Sicherheitshinweise. Verhindern Sie das Entstehen von Gefahren und beachten Sie die Sicherheitshinweise.
---	---

	Der Hersteller behält sich das Recht vor Änderungen am Produktdesign vorzunehmen, ohne den Anwender zu informieren.
--	---

1. Der Betreiber hat die in diesen Anweisungen sowie in den geltenden gesetzlichen Vorschriften enthaltenen Sicherheitsrichtlinien genauestens einzuhalten!
2. Bei Überschneidungen der Sicherheitsrichtlinien mit der örtlichen Gesetzgebung gelten stets die strengeren Vorschriften.
3. Nur Wartungspersonal mit entsprechender Berufsausbildung ist es gestattet, Comprac-Anlagen zu bedienen, zu warten und zu reparieren.

4. Druckluft, die direkt vom Kompressor kommt, kann Öl und Verunreinigungen enthalten und ist nicht als Atemluft geeignet! Druckluft muss in Übereinstimmung mit den geltenden gesetzlichen Vorschriften auf einen zur Atmung geeigneten Luftreinheitsgrad gebracht werden.
5. Druckluft ist eine äußerst gefährliche Energiequelle. Druckluft darf niemals unsachgemäß verwendet werden! Verwenden Sie niemals Druckluft, um Kleidung oder Schuhe zu reinigen und zielen Sie mit Druckluftschläuchen niemals auf Menschen oder Tiere! Bei der Reinigung von Geräten mit Druckluft ist äußerste Vorsicht geboten. Tragen Sie dabei immer eine Schutzbrille!
6. Wartungs-, Reparatur-, Aufbau-, und Montagearbeiten dürfen nur durchgeführt werden, wenn das Gerät ausgeschaltet ist, von der Stromquelle getrennt ist, die Druckluftschläuche vom Gerät getrennt sind und beteiligte Personen Schutzbrillen tragen. Stellen Sie sicher, dass die Anlage vom Druckluftsystem getrennt ist und nicht unter Druck steht.

1.3 Sicherheitsvorkehrungen für die Inbetriebnahme



Der Benutzer trägt die volle Verantwortung für Verletzungen oder Schäden, die während der Montage, des Betriebs, der Wartung sowie aufgrund von unberechtigter Nutzung der Anlage auftreten..

1. Anlagen dürfen ausschließlich mit entsprechenden Handhabungsgeräten oder Kränen auf-/abgeladen werden. Anlagen dürfen nicht von Hand angehoben oder bewegt werden. Anlagen niemals an Hebezeugen o. Ä. hängen lassen. Beim Abladen immer einen Helm tragen.
2. Stellen Sie die Anlagen in einem trockenen und sauberen Gebäude auf, wo sie vor Niederschlag geschützt sind. Das Gebäude muss ausreichend und bei Bedarf durch Fremdbelüftung belüftet sein.
3. Abgenutzte, beschädigte oder defekte Druckluftschläuche dürfen nicht verwendet werden. Stellen Sie sicher, dass die verwendeten Schläuche hinsichtlich Durchmesser und Betriebsdruck für die jeweiligen Geräte geeignet sind.
4. Sind in einem System mehrere Kompressorstationen vorhanden, benötigt jeder Kompressor ein von Hand betätigtes Ventil zum Abschalten der einzelnen Kompressoren für Notfälle.
5. Explosive und leicht entzündliche Substanzen wie Lösungsmitteldämpfe, Kohlenstaub etc. dürfen keinesfalls in die Atmosphäre freigesetzt werden.
6. Sorgen Sie für ungehinderten Zugang zum Druckluftschlauch vom Kompressor. Der Schlauch sollte nicht verdeckt sein und es dürfen keine brennbaren Materialien in unmittelbarer Nähe gelagert werden.
7. Druckluftschläuche dürfen nicht gequetscht oder verformt werden.

8. Lüftungsöffnungen von Anlagen dürfen nicht abgedeckt werden. Achten Sie darauf, dass das Gebäude gut belüftet ist.
9. Bei Verwendung einer Fernsteuerung muss folgende Warnung gut sichtbar und lesbar am Gerät vorhanden sein: „**ACHTUNG:** Diese Maschine ist ferngesteuert und kann ohne Vorwarnung anlaufen!“ Ein Bediener, der das Gerät fernsteuert, muss sicherstellen, dass zu dem Zeitpunkt keine Montage- oder anderen Arbeiten an der Anlage durchgeführt werden. Wurde das Gerät per Fernsteuerung abgeschaltet, muss der Bediener sicherstellen, dass das Gerät auch tatsächlich ausgeschaltet ist!
10. Anlagen müssen geerdet sein. Kurzschlusschutzvorrichtungen müssen vorhanden sein. Der Not-Aus-Taster muss sich in unmittelbarer Nähe des Geräts befinden und gegen unberechtigte Inbetriebnahme schützen.



Der Benutzer trägt die volle Verantwortung für den ordnungsgemäßen Betrieb des in der Anlage vorhandenen Elektromotors. Anlagen sind nur mit entsprechenden Schutzvorrichtungen zu betreiben. Die Schutzvorrichtungen müssen den Elektromotor vor Kurzschlüssen, Überlast (systematisch und bei der Inbetriebnahme) und Phasenausfall schützen. Die Montage von Schutzvorrichtungen liegt in der Verantwortung des Benutzers.

11. Bei Geräten mit einem unabhängigen Steuersystem mit automatischer Neustartfunktion muss neben dem Bedienfeld folgender Hinweis stehen: „**ACHTUNG:** Diese Maschine kann ohne Vorwarnung anlaufen!“
12. Sämtliche Tanks und Behälter, die unter Druck stehen, müssen mit Sicherheitsventilen ausgestattet sein! Die unerlaubte Montage, Demontage oder Verstellung der vorhandenen Sicherheitsventile ist nicht gestattet.

1.4 Sicherheitsvorkehrungen während des Betriebs



Der Benutzer trägt die volle Verantwortung für Verletzungen oder Schäden, die während der Montage, des Betriebs, der Wartung sowie aufgrund von unberechtigter Nutzung der Anlage auftreten.

1. Stellen Sie sicher, dass die verwendeten Schläuche hinsichtlich Durchmesser und Betriebsdruck für die jeweiligen Geräte geeignet sind. Überprüfen Sie die einzelnen Schlauchanschlüsse vor der Inbetriebnahme auf festen Sitz. Eine lose Schlauchverbindung kann schwere Verletzungen verursachen.
2. Anlagen niemals einschalten, wenn leicht entzündliche Luftverunreinigungen vermutet werden.

3. Der Bediener, der das Gerät fernsteuert, muss sicherstellen, dass zu dem Zeitpunkt keine Montage- oder anderen Arbeiten an der Anlage durchgeführt werden. Folgender Warnhinweis muss gut sichtbar am Gerät angebracht sein: „ACHTUNG: Diese Maschine ist ferngesteuert und kann ohne Vorwarnung anlaufen!“
4. Das Gerät darf keinesfalls bei Müdigkeit sowie nach dem Konsum von Alkohol, Drogen oder Medikamenten, die die Reaktionszeit reduzieren, verwendet werden.
5. Das Gerät darf nicht betrieben werden, wenn Teile des Gehäuses entfernt wurden. Türen oder Abdeckungen dürfen zu Prüfzwecken und für geplante Kontrollen kurzzeitig geöffnet werden. Gehörschutz wird dringend empfohlen.



Bei manchen Geräten können offene Türen oder fehlende Abdeckungen während des Betriebs zu Überhitzung führen.

6. Bei Arbeiten unter Betriebsbedingungen oder in Gebäuden, in denen der Schalldruckpegel 90 dB (A) oder mehr erreicht, muss Gehörschutz getragen werden.
7. Wird beim Heizen des Gebäudes Druckluft zur Anlagenkühlung verwendet, muss die Luft gefiltert werden, damit sie zum Atmen geeignet ist.
8. Folgende Punkte sind regelmäßig zu kontrollieren:
 - Vorhandensein von Sicherheitsvorrichtungen und -geräten;
 - Zustand und Dichtigkeit sämtlicher Schläuche und Rohrleitungen;
 - Lecks;
 - Festigkeit von Halterungen und Strukturbauteilen;
 - Zustand und Sicherheit der elektrischen Leitungen und Kontakte;
 - Funktionstüchtigkeit und Sauberkeit von Sicherheitsvorrichtungen;
 - Funktionstüchtigkeit von Strukturbauteilen und Anzeichen von Verschleiß;

1.5 Sicherheitsvorkehrungen für Wartung und Instandsetzung



Der Benutzer trägt die volle Verantwortung für Verletzungen oder Schäden, die während der Montage, des Betriebs, der Wartung sowie aufgrund von unberechtigter Nutzung der Anlage auftreten.

1. Es sind ausschließlich original Ersatz- und Austauschteile zugelassen. Die Verwendung von Ersatzteilen anderer Hersteller kann zu unvorhersehbaren Ergebnissen und somit zu Unfällen führen.
2. Bei Montage- und Reparaturarbeiten ist stets eine Schutzbrille zu tragen!
3. Vor dem Anschließen oder Trennen von Geräten sind diese vom Hauptdruckluftsystem zu trennen. Stellen Sie sicher, dass die Schläuche nicht unter Druck stehen!
4. Vor Beginn von Montagearbeiten oder sonstigen Arbeiten muss sichergestellt werden, dass die Anlage nicht unter Druck steht. Es dürfen niemals Montagearbeiten an Anlagen, die unter Druck stehen, durchgeführt werden.
5. Sämtliche Wartungsarbeiten dürfen erst ausgeführt werden, wenn die Bauteile auf Raumtemperatur abgekühlt sind.
6. Verwenden Sie niemals leicht entzündliche Lösungsmittel oder Tetrachlormethan zur Reinigung von Strukturbauteilen. Treffen Sie entsprechende Vorkehrungen gegen giftige Dämpfe von Reinigungsmitteln.
7. Während Montage- und Reparaturarbeiten sollte ein Hinweisschild am Bedienfeld angebracht sein, das vor unbefugtem Einschalten warnt. Beispiel: „Nicht einschalten. Gefahr für Bedienpersonal!“
8. Der Bediener, der das Gerät fernsteuert, muss sicherstellen, dass zu dem Zeitpunkt keine Montage- oder anderen Arbeiten an der Anlage durchgeführt werden. Folgender Warnhinweis muss gut sichtbar am Gerät angebracht sein: Siehe 1.3.9.
9. Halten Sie das Gebäude, in dem das Gerät steht, sauber. Schließen Sie offene Zu- und Abläufe während der Montage mit trockenen Lappen oder Papier, um zu verhindern, dass Schmutz in die Anlage gelangt.
10. Schweißarbeiten oder ähnliche Arbeiten dürfen nicht in unmittelbarer Nähe von Anlagen und Behältern, die unter Druck stehen, durchgeführt werden.
11. Schalten Sie die Anlage bei Verdacht auf Überhitzung, Entzündung sowie in anderen Notsituationen umgehend aus. Schalten Sie die Anlage sofort stromlos. Öffnen Sie Türen der Anlage erst, wenn sie sich auf Raumtemperatur abgekühlt hat, um Verbrennungen oder Verletzungen zu vermeiden.

12. Offene Flammen dürfen nicht als Lichtquelle für Inspektionen und Kontrollen der Anlage genutzt werden.
13. Verwenden Sie niemals ätzende Lösungsmittel, die Materialien im Druckluftsystem beschädigen könnten.
14. Stellen Sie nach Montagearbeiten oder anderen Arbeiten sicher, dass keine Werkzeuge, Lappen oder Ersatzteile im Gerät zurückgelassen wurden.
15. Achten Sie besonders auf die Sicherheitsventile. Kontrollieren Sie sie gründlich und entfernen Sie Staub und Schmutz. Ihre Funktion darf unter keinen Umständen beeinträchtigt sein. Denken Sie immer daran, dass Ihre Sicherheit von ihrer Funktionstüchtigkeit abhängt!
16. Stellen Sie nach Wartungs- oder Reparaturarbeiten und vor Beginn des Betriebs im normalen Modus sicher, dass der Betriebsdruck, die Temperatur und andere Werte richtig eingestellt sind. Stellen Sie sicher, dass alle Steuergeräte installiert sind und einwandfrei funktionieren.
17. Wischen Sie beim Wechsel von Filtern, Abscheidern usw. Staub-, Schmutz- und Ölablagerungen an der jeweiligen Stelle mit einem trockenen Tuch ab.
18. Schützen Sie Motor, Luftfilter, elektrische Komponenten, Steuerkomponenten usw. vor Kontakt mit dem Kondensat. Blasen Sie sie zum Beispiel mit trockener Luft ab.
19. Sicherheitshinweise für den Umgang mit Kältemittel:
 - Niemals Kältemitteldämpfe einatmen. Stellen Sie sicher, dass der Arbeitsbereich gut belüftet ist. Bei Bedarf Atemschutz tragen.
 - Tragen Sie immer Spezialhandschuhe. Wenn Kältemittel mit der Haut in Kontakt kommt, spülen Sie die betroffene Stelle mit reichlich Wasser ab. Wenn Kältemittel durch Kleidung hindurch mit der Haut in Kontakt kommt, versuchen Sie nicht, die Kleidung zu entfernen. Spülen Sie die Kleidung stattdessen gründlich mit klarem Wasser aus, bis das Kühlmittel ausgewaschen wurde. Suchen Sie anschließend einen Arzt auf.
20. Tragen Sie bei Montage- und Reparaturarbeiten (wie z. B. bei einem Ölwechsel) Schutzhandschuhe, um Verbrennungen und Verletzungen zu vermeiden.

2. Design und Funktion



Bei Nichtbeachtung dieser Anweisungen, bei Verwendung nicht originaler Ersatzteile und wenn kein Garantie-Servicepass vorliegt, kann der Garantieanspruch verfallen.

2.1 Technische Daten

Die Produktmerkmale der COMPRAG Öl-Wasser-Abscheider WOS-5/10/20/30 (nachfolgend als WOS) aufgeführt:

Modell	Artikel		Kalte Klimazone 15 °C 60%RH	Mittlere Klimazone 25 °C 60%RH	Heiße Klimazone 40 °C 100%RH
WOS-5	13400013	Max Öladsorption, kg	2,89	2,43	1,23
		Max FAD, Nm ³ /min/scfm	4,82/170,22	4,04/142,80	2,05/72,32
		Max Kondensatmenge, l/h*	2,3	3,4	6,3
WOS-10	13400014	Max Öladsorption, kg	6,01	5,04	2,55
		Max FAD, Nm ³ /min/scfm	10,01/353,55	8,40/296,60	4,25/150,21
		Max Kondensatmenge, l/h*	4,7	7,1	13,1
WOS-20	13400015	Max Öladsorption, kg	14,64	12,28	6,22
		Max FAD, Nm ³ /min/scfm	24,40/861,73	20,47/722,92	10,37/366,12
		Max Kondensatmenge, l/h*	11,4	17,2	32,0
WOS-30	3400016	Max Öladsorption, kg	25,40	21,31	10,79
		Max FAD, Nm ³ /min/scfm	42,34/1495,07	35,52/1254,24	17,99/635,21
		Max Kondensatmenge, l/h*	19,8	29,8	55,6

* Max. Kondensatvolumen je einzelner Ableitung beträgt 0,25 Liter.

	WOS-5	WOS-10	WOS-20	WOS-30
Anzahl Kondensateintritt	1	2	2	4
Anzahl Kondensataustritt	1	1	1	1
Anschlußtyp	Tülle für Rohr-Ø int. 10 mm			
Betriebstemperatur	1,5 - 45°C (max. 65°C)* / 35 - 113°F (max. 149°F)*			
Betriebsmedium	Kondensat (Luft, Wasser, Öl); nicht-aggressiv; für Emulsionen nicht geeignet			
Restölgehalt	weniger als 10ppm			

* Max. Betriebstemperatur ist 65°C. Bei einer Betriebstemperatur von größer 45 °C läßt die Leistung des Trenners nach.

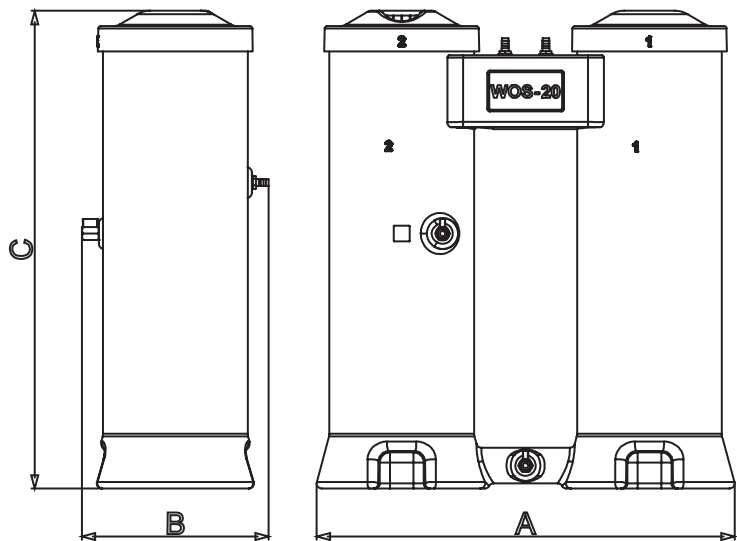


Abb. 2.1 Abmessungen

Abmessungen	WOS-5	WOS-10	WOS-20	WOS-30
A [mm]	416	730	820	960
B [mm]	243	343	366	386
C [mm]	411	680	940	1137

2.2 Funktion



Der Hersteller kommt nicht für Schäden auf, die durch unsachgemäße, fehlerhafte oder unangemessene Verwendung passieren. Verwenden Sie nur Original-Ersatzteile. Schäden, die durch die Verwendung von nicht Originalteilen entstehen, sind weder durch Garantie noch Produkthaftung abgedeckt.

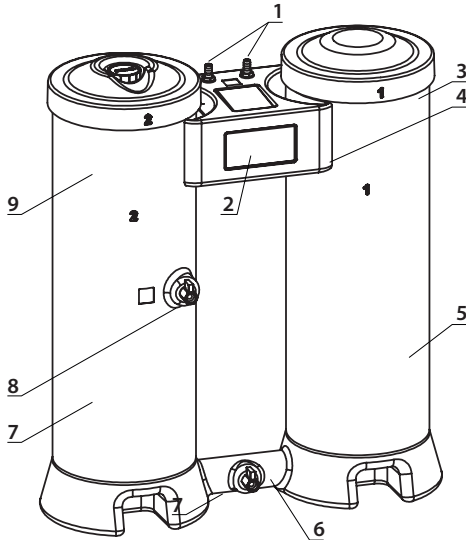


Abb. 2.2 Teile

Pos.	Teile
1.	Kondensateinlass (Wasser, Öl)
2.	Druckentlastungskammer (mit Luftfilter)
3.	Kammer 1
4.	Kondensatfluß
5.	Ölfilterelement
6.	Kondensatfluß (water, residual oil traces)
7.	Aktivkohleelement (finale Ölabscheidung)
8.	Wasserauslass (Restölgehalt <10ppm)
9.	Kammer 2

WOS Öl-Wasser-Abscheider für die Separation flüssigen Öles aus dem Kondensat von Druckluftsystemen entwickelt worden. Der Separator darf nur für den Zweck, für den er entwickelt ist, verwendet werden. Alle anderen Verwendungszwecke sind verboten.

2.3 Funktionsweise

Für fortgeschrittene Dimensionierung nutzen Sie bitte folgende Gleichungen

$$t(\text{Betriebsstunden})[h] = \frac{m(\text{Max Öladsorption})[g]}{\text{FAD}(\text{Kompressor}) \left[\frac{\text{Nm}^3}{h} \right] * c(\text{Ölübertrag}) \left[\frac{g}{\text{Nm}^3} \right]}$$

Ölübertrag (c) kann durch Messung der Ölmenge an zwei aufeinanderfolgenden Kompressorwartungen bestimmt werden. Um den Ölübertrag zu bestimmen ist das anfängliche Volumen des neuen Öles mit dem Volumen des aus dem Verdichter bei Ölwechsel abgelassenen Öles zu vergleichen. Es wird empfohlen, eine Aufzeichnung der Kompressorwartung zu tätigen. Wenn der Ölübertrag nicht bekannt ist, schlagen wir vor, für c (Ölübertrag) = 0,005 g/Nm³ zu verwenden

$$c(\text{Ölübertrag}) \left[\frac{\text{Nm}^3}{g} \right] = \frac{t(\text{Betriebsstunden Kompressor zwischen Ölwechsel})[h] * \text{FAD}(\text{Kompressor}) \left[\frac{\text{Nm}^3}{h} \right]}{(\text{Volumen Öl})[l] - \text{Volumen Öl}[\text{Öl}][l] * b(\text{Öl}) \left[\frac{l}{\text{Nm}^3} \right] * T0_3}$$

3. Inbetriebnahme

3.1 Anheben

Führen sie eine Sichtprüfung auf Verpackungsschäden durch. Wenn keine Schäden vorhanden sind, dann platzieren Sie die Einheit in der Nähe des für die Installation vorgesehenen Standorts und packen die Einheit aus. Das Gerät darf nur mittels der entsprechenden Handhabungsvorrichtungen oder Hubeinrichtung bewegt werden.

Das Gerät darf nicht manuelle angehoben oder bewegt werden. Auch das verpackte Gerät muss an einem vor Witterungseinflüssen geschützten Ort gelagert werden.

Es ist äußerste Vorsicht geboten. Schwere Einwirkungen (Stöße und Stürze) können irreparable Schäden verursachen.



Das Vorhandensein von Kratzern und Abplatzungen kann zum Verlust der Garantie führen.

3.2 Installation



Es wird dringend empfohlen, das Gerät mit klarem Wasser mindestens 24 Stunden (wir empfehlen, Wasser in Elemente 1 Tag vor der Installation / Wartung zu füllen) vor der Inbetriebnahme zu füllen, bzw. bevor Sie Kondensat aus dem Kondensatableiter zuführen. Wenn Sie Kondensat in einen leeren Separatort ableiten, ist das Element sofort gesättigt und die Leistung des Gerätes ist verringert.

1. Packen Sie das Gerät aus
2. Es wird empfohlen, das Gerät an der Wand zu platzieren. Das Prüfventil ist auf der Vorderseite des Geräts.
3. Vergewissern Sie sich, dass Sie einen einfachen Zugang zu der Vorderseite des Gerätes haben.
4. Nehmen Sie die beiden Taschen (Kohlenstoff und Polypropylen) heraus und entfernen Sie die Schutzfolie von beiden Filterbeuteln. Dann legen Sie die Patrone wieder in das Gerät.
5. Vergewissern Sie sich, dass das weiße Filterelement in Kammer 1 und das Aktivkohleelement in Kammer 2 eingelegt wird.
6. Füllen Sie das Gerät mit klarem Wasser!
7. Schließen Sie das Gerät an das System an.
8. Auslass muss an die Kanalisation angeschlossen werden.

4. Wartung

4.1 Wartung

Es wird empfohlen, dass Sie die Sättigung des Filterelementes einmal pro Woche überprüfen. Dafür verwenden Sie bitte die mitgelieferten Teststreifen für den Wassertest. Anweisungen sind im Test-Set beigefügt. Das Filterelement muss ersetzt werden, wenn eines der folgenden Parameter angezeigt wird:

- 4000 Betriebsstunden des Kompressors[3]
- Nach 12 Monaten, unabhängig von den Betriebsstunden des Kompressors
- Öl-Konzentration im Ablauf erreicht eine Konzentration die nicht mit lokalen Richtlinien und Gesetzen konform sind.
- Beschädigte Bauteile sind durch neue zu ersetzen. Wenn ein gewisser Schädigungsgrad erreicht wird, ist der gesamte Behälter auszutauschen.
- Führen Sie eine Überprüfung auf Undichtigkeiten durch, sobald die Wartungsarbeiten abgeschlossen sind.

* Am Kompressor Ölübertrag 2,5 mg/m³. Kleinerer / höherer Ölübertrag bedeutet proportional längere / kürzere Standzeit (zB wenn Ölübertrag bei 5mg/m³ liegt, reduziert sich die Standzeit auf 2000 Betriebsstunden).

Die Wasserqualität kann mit "ölanzeigende Testpapier" geprüft werden. Test-Sets sind bei Comprag Vertriebspartnern erhältlich.

4.2 Wechseln des Elementes



Gebrauchte Separatorelemente müssen in Übereinstimmung mit den örtlichen Vorschriften und Gesetzen entsorgt werden.

Bitte beachten Sie folgende Schritte beim Wechseln des Elementes:

1. Entfernen Sie die Schutzfolie von beiden Filterbeuteln, füllen Sie das neue Element mit Wasser (Beachten Sie den Punkt Warnung im Abschnitt Installation).
2. Verschließen Sie den Kondensateinlaß oder stellen Sie sicher, dass während der Wartung kein Kondensat in den WOS gelangt.
3. Entfernen Sie das gesättigte Filterelement.
4. Reinigen Sie den Anschluß für das Filterelement an der Druckentlastungskammer.

5. Reinigen Sie bei Bedarf das Innere der Zyklonkammer.
6. Befestigen Sie das neue Filterelement an der Zyklonkammer. Vergewissern Sie sich, dass das weiße Filterelement in Kammer 1 und das Aktivkohleelement in Kammer 2 eingelegt wird.
7. Öffnen Sie den Einlaß und nehmen das Gerät in Betrieb.

5. Lagerung und Entsorgung

5.1 Lagerung der Trockner

Die Umgebungsbedingungen für die Lagerung der Abscheider sind wie folgt: Temperatur zwischen -10° und $+45^{\circ}\text{N}$ sowie bei max. 75% relative Feuchte. Das Auftreten von Niederschlag am Lagerort muss ausgeschlossen sein.

5.2. Entsorgung

Gebrauchte Separatorelemente müssen in Übereinstimmung mit den örtlichen Vorschriften und Gesetzen entsorgt werden.


© Comprag ®. Все права защищены.

Перепечатка текста и / или использование графики. допускается только с письменного разрешения Comprag®.

Производитель оставляет за собой право без уведомления потребителя вносить изменения в конструкцию изделий для улучшения их технологических и эксплуатационных параметров.

Вид изделий может незначительно отличаться от представленных на изображениях.



Содержание	Стр.
1. Правила техники безопасности	33
1.1 Символы, использованные в инструкции	33
1.2 Общие меры безопасности	33
1.3 Меры безопасности при вводе в эксплуатацию	34
1.4 Меры безопасности при эксплуатации	35
1.5 Меры безопасности при обслуживании и ремонте	36
2. Устройство и принцип работы	38
2.1 Технические данные	38
2.2 Назначение и принцип действия	40
2.3 Предварительное определение размеров	41
3. Ввод в эксплуатацию	42
3.1 Контроль перед установкой	42
3.2 Установка оборудования	42
4. Техническое обслуживание	43
4.1 Рекомендации по обслуживанию	43
4.2 Замена фильтрующего элемента	43
5. Хранение и утилизация	44
5.1 Хранение сепаратора технологического конденсата	44
5.2 Утилизация	44

	<p>Внимательно ознакомьтесь с техдокументацией, инструкцией по эксплуатации и правилам техники безопасности. Большинство несчастных случаев при эксплуатации компрессорной техники происходит из-за несоблюдения правил безопасности. Не допускайте возникновения опасных ситуаций и соблюдайте соответствующие правила техники безопасности.</p>
---	---


	<p>Производитель оставляет за собой право вносить изменения в конструкцию изделия без предварительного уведомления.</p>
---	---

1. Правила техники безопасности

1.1 Символы, используемые в инструкции

	<p>Опасно для жизни.</p>
	<p>Предупреждение.</p>
	<p>Внимание.</p>


1.2 Общие правила безопасности

	<p>Вся ответственность за травмы или повреждения, полученные вследствие несоблюдения правил техники безопасности при установке, эксплуатации или обслуживанию, а также при несанкционированном использовании данного оборудования, возлагается на потребителя!</p>
---	--

1. Оператор должен неукоснительно соблюдать правила техники безопасности, предусмотренные этими инструкциями и местным законодательством!

2. При сравнении данных правил безопасности с правилами местного законодательства, необходимо выбирать те, которые предъявляют более жёсткие требования!
3. К эксплуатации, техническому обслуживанию и ремонту оборудования Comprag допускается только обученный обслуживающий персонал с соответствующей степенью профессиональной подготовки!
4. Сжатый воздух непосредственно после компрессора может содержать масла и углекислый газ и не является пригодным для дыхания! Необходимо провести очистку сжатого воздуха до класса чистоты воздуха пригодного для дыхания, соответствующего нормам местного законодательства!
5. Сжатый воздух – источник энергии высокой степени опасности. Запрещается использование сжатого воздуха не по назначению! Не применяйте его для чистки одежды и обуви, не направляйте рукава сжатого воздуха в сторону людей и животных! При использовании воздуха для чистки оборудования, делайте это с особой осторожностью с применением защитных очков!
6. Все работы по техническому обслуживанию, ремонту, настройке, монтажу и т.п. должны производиться при выключенном оборудовании, с отключенным от сети кабелем питания, с отсоединенными от изделия рукавами сжатого воздуха, работы необходимо проводить в защитных очках! Убедитесь, что оборудования отключено от сети сжатого воздуха и не находится под давлением!

1.3 Меры безопасности при вводе в эксплуатацию

	<p>Вся ответственность за травмы или повреждения, полученные вследствие несоблюдения правил техники безопасности при установке, эксплуатации или обслуживанию, а также при несанкционированном использовании данного оборудования, возлагается на потребителя!</p>
---	--

1. Разгрузка/погрузка оборудования должна проводиться только при помощи соответствующих приспособлений или подъёмных механизмов. Ручной подъём и перемещение запрещены. Не оставляйте оборудование в подвешенном состоянии. При разгрузочных работах используйте каску.
2. Разместите изделие в сухом и чистом помещении, исключаяющим прямого воздействия атмосферных осадков. Помещение должно хорошо проветриваться; при необходимости обеспечьте принудительной вентиляцией.
3. Запрещается использовать изношенные, поврежденные или испорченные рукава сжатого воздуха. Убедитесь, что рукава по номинальному диаметру и рабочему давлению соответствуют данному оборудованию.
4. При использовании в системе нескольких компрессорных станций, каждый компрессор должен предполагать наличие ручного крана для возможности отсечения любого из них в случае возникновения внештатных ситуаций.

5. Не допускается наличие в атмосферном воздухе взрыво- и пожароопасных примесей, таких как: пары растворителей, углеродная пыль и т.п.
6. Обеспечьте свободный доступ к рукаву сжатого воздуха из компрессора. Не захламляйте его, не храните в непосредственной близости легковоспламеняющиеся материалы.
7. Не пережимайте, не деформируйте подводные рукава сжатого воздуха.
8. Обеспечьте хорошее проветривание помещения.
9. Оборудование должно быть заземлено. Обеспечьте защиту от короткого замыкания. Пусковой рубильник должен находиться в непосредственной близости от оборудования и иметь защиту от несанкционированного запуска.



Потребитель несет полную ответственность за соответствие условий эксплуатации электрического двигателя, установленного в оборудовании. Эксплуатация оборудования без защитной аппаратуры не допускается. Защитная аппаратура должна обеспечивать защиту электрического двигателя от коротких замыканий, перегрузок (систематической и пусковой) и неполнофазных режимов. Установка защитной аппаратуры является обязанностью потребителя.

10. Любые ёмкости и сосуды, работающие под давлением, должны быть оборудованы предохранительными клапанами! Запрещается любой несанкционированный монтаж, демонтаж или настройка прилагаемых предохранительных клапанов.

1.4 Меры безопасности при эксплуатации



Вся ответственность за травмы или повреждения, полученные вследствие несоблюдения правил техники безопасности при установке, эксплуатации или обслуживанию, а также при несанкционированном использовании данного оборудования, возлагается на потребителя!

1. Убедитесь, что рукава по номинальному диаметру и рабочему давлению соответствуют данному оборудованию. Перед запуском проверьте крепление каждого соединения рукава. Не полностью закреплённый рукав может стать причиной серьёзных травм!
2. Никогда не включайте оборудование, если есть подозрение на наличие в атмосферном воздухе легковоспламеняющихся примесей!
3. Оператору запрещается работать с оборудованием, если он утомлен, находится под воздействием алкоголя, наркотических средств или лекарственных препаратов, вызывающих замедленную реакцию организма.
4. Запрещается работа оборудования с демонтированными элементами.

5. Периодически проверяйте:

- наличие на своих местах предохранительных устройств и их крепление;
- исправность и герметичность всех рукавов и трубопроводов;
- отсутствие утечек;
- затяжки крепёжных элементов и элементов конструкции;
- все электрические кабели и контакты на исправность и безопасность;
- работоспособность предохранительных устройств, наличие грязи и т.п.;
- все элементы конструкции находятся в рабочем состоянии, без износа.

1.5 Меры безопасности при обслуживании и ремонте



Вся ответственность за травмы или повреждения, полученные вследствие несоблюдения правил техники безопасности, при установке, эксплуатации или обслуживанию, а также при несанкционированном использовании данного оборудования, возлагается на потребителя!

1. Разрешается использовать только оригинальные запасные части и вспомогательные принадлежности. Использование запчастей других производителей может привести к непредсказуемым последствиям и, как результат, к несчастным случаям.
2. При проведении монтажных и ремонтных работ всегда используйте защитные очки!
3. Перед подключением или отключением оборудования отсоедините его от основной пневмосети. Убедитесь в отсутствии давления в рукавах!
4. Перед началом монтажных или прочих работ, убедитесь, что оборудование не нагружено давлением. Монтажные работы с оборудованием под давлением запрещены!
5. Все работы по техническому обслуживанию должны проводиться только тогда, когда температура элементов конструкции упадёт до комнатной.
6. Никогда не используйте для чистки элементов конструкции легковоспламеняющиеся растворители или тетрахлорид углерода. При протирке примите меры предосторожности против ядовитых паров чистящих жидкостей.
7. При проведении монтажных и ремонтных работ необходимо закрепить на панель управления информационную табличку для предотвращения от несанкционированного запуска. Например, «Не включать. Работают люди!»
8. Содержите помещение, в котором установлено оборудование, в чистоте. Открытые входные и выходные отверстия во время монтажа закрывайте сухой ветошью или бумагой, во избежание попадания мусора в оборудование.
9. Запрещается проводить сварные и прочие подобные работы непосредственно вблизи данного оборудования, а также сосудов, работающих под давлением.

10. При малейшем подозрении на перегрев, воспламенение или другую внештатную ситуацию выключите оборудование. Незамедлительно обесточьте его. Не открывайте двери оборудования до тех пор, пока температура не упадёт до комнатной во избежание получения ожога или травмы.
11. Запрещается использование источников света с открытым пламенем для осмотра и ревизии оборудования.
12. Никогда не используйте едкие растворители, которые могут повредить материалы пневмосети.
13. После проведения монтажных и прочих работ убедитесь, что внутри не осталось инструмента, ветоши, запасных частей и т.п.
14. Особое внимание стоит уделять предохранительным клапанам. Тщательно следите за ними, вовремя удаляйте пыль и грязь. Ни при каких условиях они не должны утратить свой функционал. Помните, от их работы зависит Ваша безопасность!
15. Перед началом работы в штатном режиме после технического обслуживания или ремонта, проверьте, что рабочее давление, температура и прочие характеристики выставлены правильно. Убедитесь, что все управляющие и контролирующие устройства установлены и функционируют верно.
16. При замене фильтров, сепараторов и т.п., протрите сухой ветошью места их крепления от пыли, грязи, остатков масла.
17. Никогда не вдыхайте пыль оксида алюминия. Убедитесь, что рабочая зона надлежащим образом вентилируется; если необходимо, используйте респиратор.
18. Используйте защитные перчатки во время монтажных и ремонтных работ.

2. Устройство и принцип работы



Несоблюдение данных инструкций, использование неоригинальных запчастей, отсутствие гарантийного талона может привести к прекращению действия гарантии.

2.1 Технические данные

Основные характеристики сепараторов технологического конденсата из сжатого воздуха WOS-5/10/20/30 COMPRAQ (далее WOS) представлены ниже:

Модель	Артикул		Зона холодного климата 15 °С 60%ОВ	Зона умеренного климата 25 °С 60%ОВ	Зона жаркого климата 40 °С 100%ОВ
WOS-5	13400013	Макс. адсорбция масла, кг	2,89	2,43	1,23
		Макс FAD, нм ³ /мин/scfm	4,82/170,22	4,04/142,80	2,05/72,32
		Макс. поток конденсата, л/ч*	2,3	3,4	6,3
WOS-10	13400014	Макс. адсорбция масла, кг	6,01	5,04	2,55
		Макс FAD, нм ³ /мин/scfm	10,01/353,55	8,40/296,60	4,25/150,21
		Макс. поток конденсата, л/ч*	4,7	7,1	13,1
WOS-20	13400015	Макс. адсорбция масла, кг	14,64	12,28	6,22
		Макс FAD, нм ³ /мин/scfm	24,40/861,73	20,47/722,92	10,37/366,12
		Макс. поток конденсата, л/ч*	11,4	17,2	32,0
WOS-30	3400016	Макс. адсорбция масла, кг	25,40	21,31	10,79
		Макс FAD, нм ³ /мин/scfm	42,34/1495,07	35,52/1254,24	17,99/635,21
		Макс. поток конденсата, л/ч*	19,8	29,8	55,6

* МАКС объем конденсата за одинарный сброс отводчика = 0,250 л.

	WOS-5	WOS-10	WOS-20	WOS-30
Кол-во внутренних соединений	1	2	2	4
Кол-во внешних соединений	1	1	1	1
Тип соединения	Задняя часть трубы, внутренний Ø 10 мм			
Рабочая температура	1,5 - 45 °С (max. 65 °С)* / 35 - 113 °F (max. 149 °F)*			
Рабочая среда	Конденсат (воздух, вода, масло); неагрессивный; не подходит для эмульсии			
Остаток масла	менее 10 ppm			

* МАКС рабочая темп-ра = 65 °С, но при превышении 45 °С, производительность может уменьшиться.

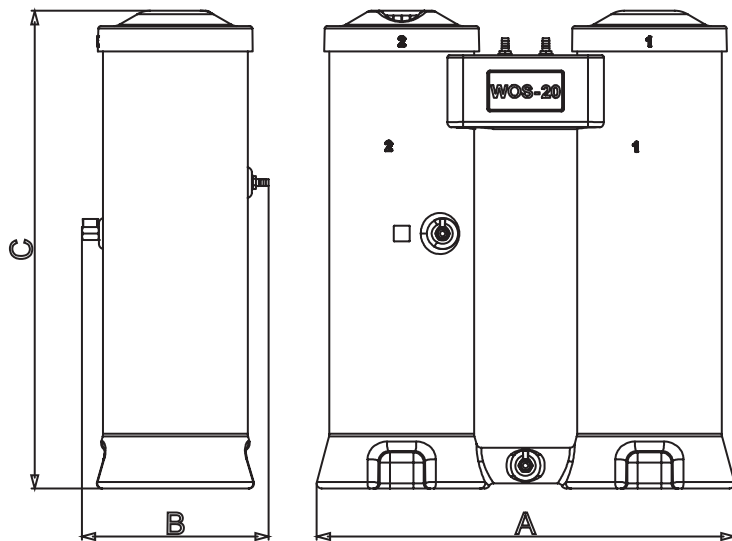


Рис. 2.1 Габаритные размеры

Размеры	WOS-5	WOS-10	WOS-20	WOS-30
A [мм]	416	730	820	960
B [мм]	243	343	366	386
C [мм]	411	680	940	1137

2.2 Назначение и принцип действия



Производитель не несет ответственности за любой ущерб в результате неправильного, ненадлежащего или нецелесообразного использования устройства. Применяйте только оригинальные запасные части. Любое повреждение или неправильное функционирование, являющиеся следствием применения неоригинальных запасных частей, не покрывается ни гарантией, ни обязательствами производителя.

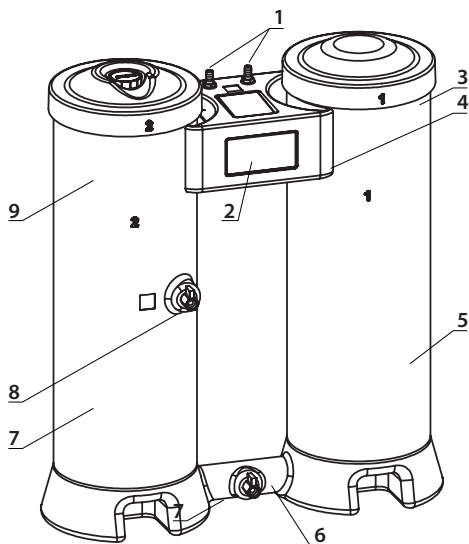


Рис. 2.2 Компоненты

Поз.	Деталь
1.	Входное соединение - конденсат (вода, масло)
2.	Камера сброса давления (с воздушным фильтром)
3.	Камера первой ступени
4.	Поток конденсата
5.	Картридж масляного фильтра
6.	Поток конденсата (вода, следы остаточного масла)
7.	Картридж фильтра активированного угля (финальное удаление масла)
8.	Выпуск чистой воды (остаток масла <10 ppm)
9.	Камера второй ступени

Сепаратор технологического конденсата WOS предназначены для отделения смазочного масла от конденсата, создаваемого в системах сжатого воздуха. Данное устройство должно использоваться только по назначению, для которого оно было специально спроектировано. Любое другое использование должно рассматриваться как применение не по назначению.

2.3 Предварительное определение размеров

Для предварительного определения размеров используйте следующие уравнения

$$t(\text{Время работы})[\text{ч}] = \frac{m(\text{Макс. адсорбция масла}) [\text{г}]}{\text{FAD}(\text{Компрессор}) \left[\frac{\text{НМ}^3}{\text{ч}} \right] * c(\text{вынос масла}) \left[\frac{\text{г}}{\text{НМ}^3} \right]}$$

Перенос масла (с) можно определить, измерив объем масла при двух последовательных проведенных сервисных работах на компрессоре. Сравните изначальный объем нового масла с объемом, слитым из компрессора при замене масла. Рекомендуется вести записи об обслуживании компрессора. Если перенос не известен, мы предлагаем использовать величину $c(\text{перенос масла})=0,005\text{г/нм}^3$.

$$c(\text{вынос масла}) \left[\frac{\text{г}}{\text{НМ}^3} \right] = \frac{(V(\text{новое масло})[\text{л}] - V(\text{использованное масло})[\text{л}]) * \rho(\text{масло}) \left[\frac{\text{кг}}{\text{л}} \right] * 10^3}{t(\text{полное количество рабочих часов между сменой масла})[\text{ч}] * \text{FAD}(\text{Компрессор}) \left[\frac{\text{НМ}^3}{\text{ч}} \right]}$$

3. Ввод в эксплуатацию

3.1 Контроль перед установкой

Проверьте визуально отсутствие повреждения упаковки, если повреждений нет, поставьте блок рядом с выбранным местом монтажа и распакуйте. Перемещение оборудования должно проводиться только при помощи соответствующих приспособлений или подъёмных механизмов. Ручной подъём и перемещение запрещены. Даже в упаковке, держите оборудование в защищенном от воздействия погодных явлений месте.

Обращаться с осторожностью. Сильные удары (толчки, падение) могут нанести непоправимый ущерб.



Присутствие на изделии вмятин, сколов и прочих повреждений может привести к прекращению действия гарантии.

3.2 Установка оборудования



Настоятельно рекомендуется наполнить устройство чистой водой не менее чем за 24 часа (мы рекомендуем залить воду в картридж за 1 день до установки/обслуживания) до начала слива конденсата в сепаратор. Если вы начнете сливать конденсат в пустое устройство, фильтрующий элемент может мгновенно пропитаться или может снизиться эффективность.

1. Распакуйте устройство.
2. Рекомендуется разместить его возле стены. Тестовый клапан находится на передней стороне устройства.
3. Убедитесь, что у вас есть хороший доступ к передней стороне устройства.
4. Вытащите оба «мешка» (угольный и полипропиленовый) и удалите с них защитную фольгу. Вставьте картридж обратно.
5. Убедитесь, что белый фильтрационный элемент вставлен в камеру 1, а угольный элемент вставлен в камеру 2.
6. Наполните устройство чистой водой!
7. Присоедините устройство к системе.
8. Выпускную трубу следует подсоединить к канализационной сети.

4. Техническое обслуживание

4.1 Рекомендации по обслуживанию

Рекомендуется один раз в неделю проверять степень пропитки фильтрующего элемента. Для тестирования качества воды используйте комплект испытательных приборов. К комплекту испытательных приборов прилагаются инструкции. Фильтрующий элемент следует менять в одном из следующих случаев:

- 4000 рабочих часов компрессора*
- 12 месяцев независимо от времени работы компрессора
- Выходная концентрация масла достигает значения, ограниченного местными законами и нормами.
- Поврежденные компоненты должны заменяться новыми. Если обнаружена явная степень повреждения, то заменяется весь сосуд.
- Проводите проверку на утечки по завершении работ по обслуживанию.

* При переносе компрессорного масла $2,5\text{мг/м}^3$. Более низкий/высокий перенос масла означает соответственно более долгий/короткий срок жизни (т.е. если перенос равен 5мг/м^3 , срок уменьшается до 2000 рабочих часов).

Качество воды также можно проверить “тестовой бумагой для определения масла”. Для получения набора свяжитесь с нами или своим дистрибьютором.

4.2 Замена фильтрующего элемента



Утилизация использованных фильтрующих элементов должна проводиться в соответствии с местными правилами и законами.

Чтобы заменить фильтрующий элемент, выполните следующие действия:

1. Удалите защитную фольгу с **НОВОГО** фильтрующего элемента, наполните картридж чистой водой и снова закройте его крышкой. (Обратите внимание на предупреждение в главе «УСТАНОВКА»)
2. Перекройте выпуск конденсата или убедитесь, что конденсат не будет сливаться в сепаратор WOS во время обслуживания.
3. Удалите пропитанный фильтрующий элемент.

4. Очистите соединение фильтрующего элемента с циклонной камерой сброса давления.
5. При необходимости очистите внутреннюю поверхность циклонной камеры.
6. Подсоедините НОВЫЙ фильтрующий элемент к циклонной камере. Убедитесь, что белый фильтрационный элемент вставлен в камеру 1, а угольный элемент вставлен в камеру 2.
7. Откройте впускной патрубок и запустите устройство.

5. Хранение и утилизация

5.1 Хранение сепаратора технологического конденсата

Хранение сепараторов технологического конденсата допускается в сухом помещении при температуре от -10° до $+45^{\circ}$ С и при относительной влажности не более 75%. В помещении должна быть исключена возможность выпадения атмосферных осадков.

5.2 . Утилизация

Утилизация использованных фильтрующих элементов должна проводиться в соответствии с местными правилами и законами.